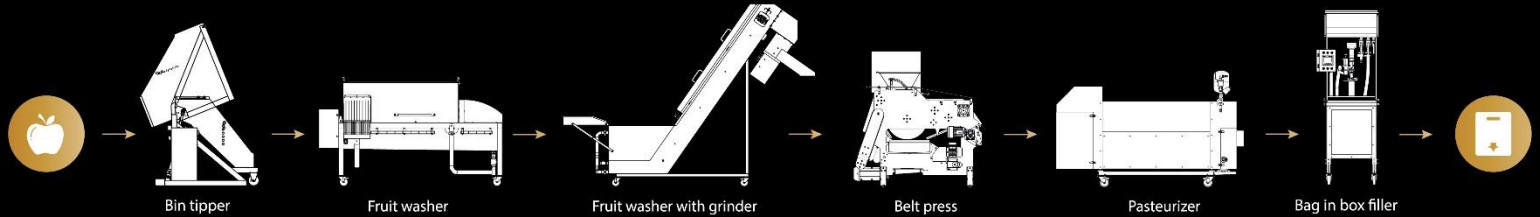


## PROFRUIT MACHINERY

Official Manual & Instruction Document

Sorting conveyor with transporter

**Sorting conveyor 1500x400, 3000x400**



## INFORMATION ABOUT MANUFACTURER

**Manufacturer:** UAB ProFruit Machinery

**Representator:** director Pijus Lopata

**Address:** Razes g. 27, Peskojai v., LT-92385 Klaipėda county, Lithuania

**Company code:** 305202037

**VAT codee:** LT100012484812

**E-mail address:** [info@pro-fruit.com](mailto:info@pro-fruit.com)

**Website:** [www.pro-fruit.com](http://www.pro-fruit.com)

### Warning signs

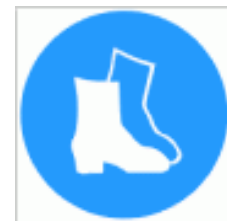
There are special warning and prohibition signs put on the machines which are meant to inform the user about danger and keep everyone – people and machinery – safe at all situations. The meaning of each sign is described below.



**Control console.  
High voltage**



**Headers required**



**Work shoes required**



**The risk of limb injury.**

**It is mandatory to remain alert and protect the limbs.**



**The risk of limb injury.**

**Moving parts of the machine.**



**Hot surface.  
Risk of getting burned.**



**Warning. Sharp parts of machine  
Risk of limb injury.**

## **GENERAL REQUIREMENTS**

General instructions:

- Ambient air temperature +8...+35° C.
- Relative humidity (when temperature +25 °C) till 70%.
- Atmospheric pressure, kPa 84-107.
- The Law on Occupational Safety and Health of the Republic of Lithuania, the General Provisions and Safety Instructions for the Use of Work Equipment and the Laws on Occupational Safety and Health of the European Union must be observed while using the machine.



**Attention! It is mandatory to wash off the device before starting it for the first time.**

It is important to eliminate any manufacturing residues and the dust which has built up on the surface, taking care not to wet the electrical parts and keeping the power supply cable disconnected.



### Sorting conveyor

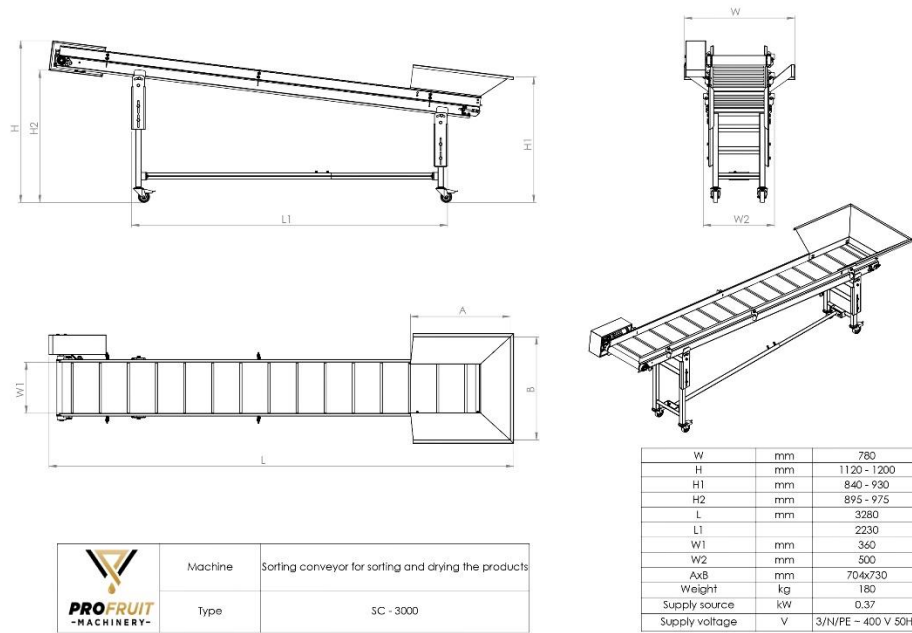
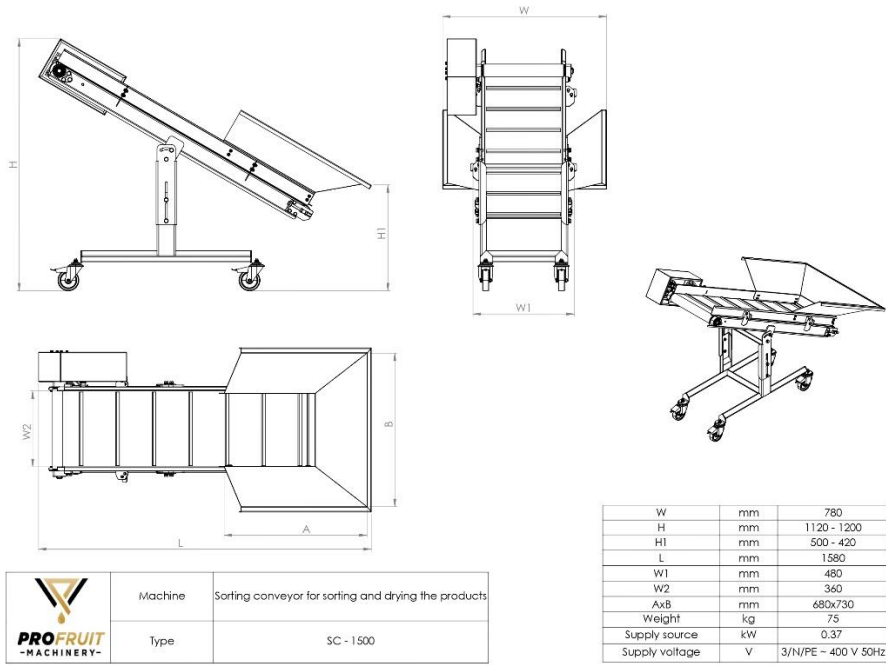
Sorting conveyor transports products from one machine to the other. It can be used in two ways. One way is to use the machine for sorting the products after they are washed by AQUA 3000. Another way is to use sorting conveyor before the UNLOADER if fruits are already clean and ready to be sorted.

We produce two different length sorting conveyors: 1,5 m and 3 m length. We also accept individual orders for machine with different measurements.

- Measurements: 1500×400 and 3000×400 mm.
- Simple and user-friendly maintenance.
- Convenient sorting tape non-conditional fruits and vegetables.
- Machine also has pivoting wheels.
- Sorting conveyors are easy to clean after using.



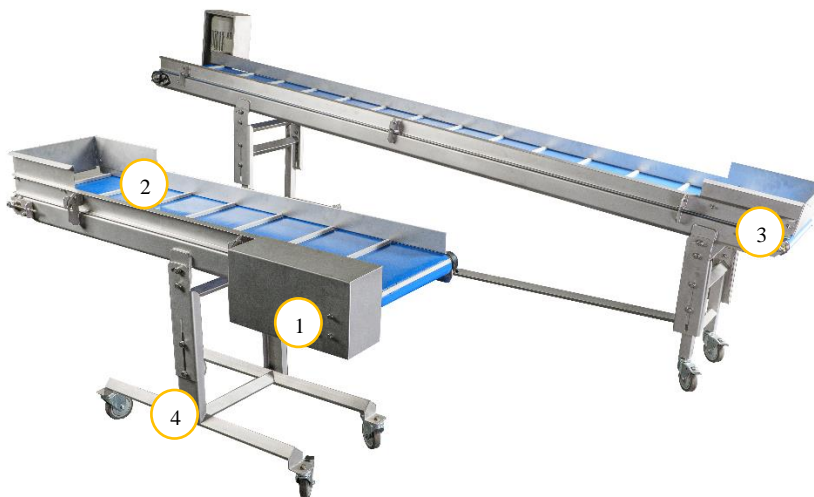
## Specifications and drawings of the machine



## Workplace of an operator

- The machinery is operated by one person.
- The workplace of an operator changes.
- When the machinery is being operated – operator works by the central control box.
- When the fruit and vegetables are being sorted on the fruit tray – operator works in front of the machine near the fruit tray.

## Main components of the machine



1.	Engine and reducer
2.	Conveyor belt
3.	Additional sides for fruit inlet
4.	Pivoting wheels

## Assembly, connection and installation of the machine

Steps to accomplish in order to start working with the machine

- Connect power plug to el. supply. If Conveyor is working with MAXIMILL power plug **MUST** be connected to MAXIMILL el. cabinet.
- Start the machine from the separate el. cabinet or from the MAXIMILL el.cabinet by pressing SORTING START.
- Pour the fruits onto the sorting conveyor.

## The main instruction of central control box

- 

## Instructions for using the machine

- 

## Safety mechanisms

- **Emergency switch No. 1 EMERGENCY STOP** – needs to be pressed in case of emergency to immediately stop the machine.
- When working in full line, there is an automatic stop and go function, so machine will stop when Powerpress or Destone machines fruit inlet is full.
- **Safety in case of a sudden black-out** – when the power supply is suddenly cut off or a similar situation happens the machine is turned on normally and does not cause any dangerous situations like sudden start or improper operation.
- **Safety break** – machine is mounted on stable and pivoting wheels with breaks. The breaks are fixed with the help of the foot.
- **Safety of electronical pieces** – all the electronical pieces are installed in the internal part of the central command box and shielded with the protection lid. The lid can be opened only with a special key.



### **The washing of machine**

- Wash the machine with a water stream only when machine is turned off.
- It is recommended to wash the whole machine with a water stream except the central control box and engines.
- It is forbidden to wash or spray any liquids on the central command box and engines.

### **Conditions for using the machine**

- A higher than 1.5 m room or using area is required.
- The area around the machine needs to be empty so machine would not be bothered with any interference.
- The machine, its workplace and ground must be kept clean, neat and properly lit at all times when using it.
- The press or other mash collecting machinery or tank is required to be put under the mill of the machine to collect it.
- The machine is operated by one person who has passed his training with the machine and is familiar with all the instructions and risks.
- Flat, stable and solid ground is needed for machine, the ground must hold 100 kg weight. This stable ground is always obligatory: when using the machine, during transportation, assembly, dismantling, testing, foreseeable failure or non-usage periods.
- When transporting, lifting, or storing the machinery the client is obligated to assure its safety and proper fastening.

### **Safety requirements**

- If some machinery failure, obstacle, accident, emergency or any other dangerous situation happens it is obligatory to stop, shut down the machinery immediately or operate equipment depending on the situation in order to avoid or eliminate dangers.

- The machinery can be operated only by person who has passed his training for machinery and is familiar with all the machinery instructions and risks. The person also must be in proper physical and mental state and not be affected by any substances that could interfere with normal functioning (such as pharmaceuticals, drugs, alcohol etc.).
- It is prohibited to do any activity with the machine during its working process (such as washing, transporting etc.).
- It is prohibited to wet or pour any liquids onto the central control box and engines.
- Every time before using the machine the operator must carefully inspect the machine, check if all the parts and electrical buttons are in place and working properly as well as examine if the equipment meets all the safety requirements and is prepared for normal work.
- The central control box and engines can be fixed, repaired or changed only by the manufacturer or its approved repairing company. All the engineering and electrical works must also be performed by the manufacturer or its approved repairing company.

### **Warnings**

- It is prohibited to put products or things into the machine that could damage or cause any harm to it. Only products that can be identified as fruits or vegetables can be used with this machine.
- It is prohibited to wash and process berries, fruits and vegetables that could clog, stop or improperly aggravate the work or harm the machine and its parts in any way
- It is forbidden for any people to touch, lean on or have contact in any way with the working machine, its parts, the products that are being processed or other dangerous parts because of the risk of injury. Only actions that are necessary for a proper work with the machine are allowed.
- All machinery parts, buttons and operational details must be used according to their purpose.
- Any arbitrary adjustment, repair or other mechanical modification of the machine by a non-manufacturer will result in termination of the warranty service.
- It is prohibited to climb or put things on the machine at all times.

- The machine only works properly when all its parts are properly attached.
- The machine can only be washed, lifted, transported or otherwise operated after it was switched off completely.
- The cover of the central control panel is opened with a special key by an operator or warranty service person.
- Maintenance of the machine must only be carried out by the manufacturer or its approved company.
- The manufacturer produces and prepares the machine based on all machinery requirements and client's needs. Changing and mechanically adjusting any machinery settings without manufacturer or its approval is prohibited.
- If a machine failure, defect or other malfunction is noticed, contact the manufacturer for troubleshooting, warranty service or other solution within 5 working days.

### **Residual risks**

- The risk of sound and vibration (depending on the load), water splashes and the possibility of getting wet still remains even in compliance with all safety requirements.

### **Precautionary directions**

- Before using the machine, the operator must inspect the machine for defects and meet all safety requirements. If discrepancies are found, do not use the machine until they have been eliminated.
- It is recommended to remain attentive around the machine and to keep a distance from the machine and its washing and crushing parts when it is not necessary.
- If the situation requires contact with parts of machinery that are hazardous to health or dangerous to environment, additional precautions must be taken: consultation with the manufacturer, usage of other equipment or tools, wearing protective gloves and other actions depending on the situation.

- It is recommended to wear clothing and footwear that is non-slip, water resistant and is appropriate for work.
- It is recommended to follow all the safety requirements depending on the products and the way how operator chooses to put them into machine (to not lift products that are too heavy by yourself, to carefully put them into the machine and work while protecting your health).

### **Transportation of machine**

- The machine is transported by truck.
- The machine is transported in one piece without separating its parts.
- During transportation the machine must be secured in such a way that its components are not damaged and the machine itself remains stable during transport.
- When transporting and otherwise moving or changing the position of the machine it must be done after it had been completely switched off, emptied and securely fastened.
- The machine has to be put straight during transportation.

### **Machine operation in case of risk**

- In the event of an accident or emergency operate the machine depending on the situation: stop, shut it down, return to a safe or less dangerous position immediately and eliminate the danger.
- If the machine breaks down, switch off the machine and evaluate the failure. If the failure cannot be eliminated by yourself (such as removing the dirt, other obstacles) or it is dangerous, contact the manufacturer for warranty service, if the warranty service has expired, apply for repair.
- In case of jammed machine assess the situation, inspect the jammed part of the machine and try to solve it if there is no danger. Depending on the situation try restarting the machine or contacting the manufacturer for warranty service or repair.

### Adjustment and maintenance of machine

- Inspect machine parts (Conveyor, engine and bearings) before every use, regularly check machinery.
- Wash the machine regularly (after each shift).

### Troubleshooting

Troubleshooting must only be carried out by an authorized and qualified person, with the right and appropriate skills and training for the job.

Disturbances / error	Possible reason(s)	Remedy
Machine does not function	Phase missing Phase swapped	Have an electrician to check this
Machine does not function	Power plug is connected to different supply. ( When working with MAXIMILL)	Connect power plug ONLY to the MAXIMILL el. cabinet
Belt does not moving	Belt is stuck	Check the belt
Conveyor is going backwards	Reverse is selected	Unpress Conveyor reverse button.