

ProFruit Machinery™ is a family-based company that started with a father and son and their shared desire to offer more fruit, berry and vegetable processing possibilities for both leaders of their market and businesses that aspire to become such one day.

For almost 10 years we have been working with various fruit, berry and vegetable processing equipment in our juice production-based company “Savos sultys”. This way we have tried and tested the equipment from almost all producers in the market including it’s leaders. We have gained an extensive experience working with all the equipment parts of the processing lines, we constantly communicate with other producers and users of this equipment and for these reasons we truly understand what the effective work in fruit, berry and vegetable processing field requires.

Our core values are reliability, the highest quality and comprehensive assistance to the client in all matters. These values are also supported by the fact that our team consists of true professionals who have been working in a food processing equipment industry for more than 20 years and are capable of ensuring all the best engineering solutions.



**COMMERCIAL OFFER FOR SEMI-AUTOMATIC BAG
IN BOX FILLER SEMIFLOW**

Description	Capacity	Quantity	Price EUR.	Pack. Cost Eur
Semi-automatic Bag in Box and Stand-up Pouch filler SEMIFLOW (without 45 l buffer tank) for juice, water, wine and similar	1000 l/h	1	7 000.00	80.00
Semi-automatic Bag in Box and Stand-up Pouch filler SEMIFLOW (with 45 l buffer tank) for juice, water, wine and similar	1000 l/h	1	7 600.00	80.00

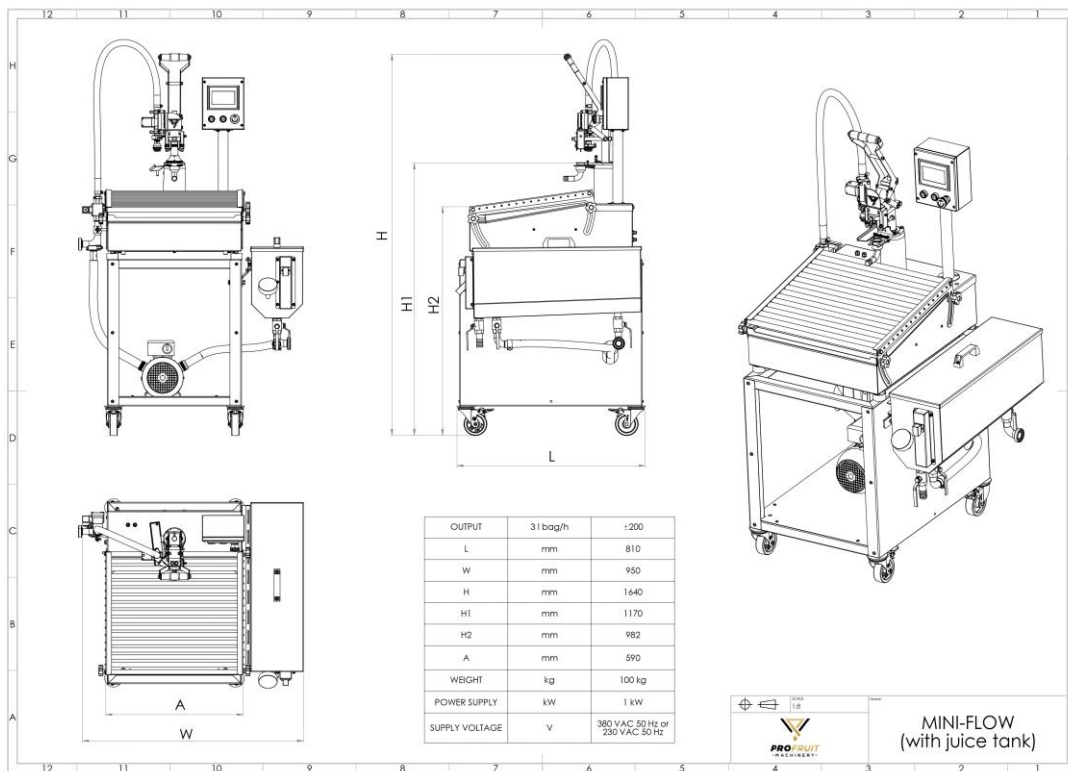
Optional	Price EUR.
Additional payment for electromagnetic flowmeter for viscous liquids	400.00
45l integrated buffer tank for hot filling for SEMIFLOW/AUTOFLOW	600.00
Additional payment for different tube connections	650.00
Roller conveyor for box placing	1 600.00
Nitrogen injection option for MINIFLOW/SEMIFLOW	300.00

Spare parts	Price EUR.
Pump for SEMIFLOW/AUTOFLOW	650.00
Electromagnetic flowmeter	950.00
Paddle wheel flowmeter	800.00
Spare seals kit for AUTOFLOW/MINIFLOW/SEMIFLOW	80.00
Pneumatic cylinder for filling head	95.00
Pneumatic cylinder for bag holder	70.00
Vacuum injector	90.00
Solenoid valve for vacuum/nitrogen	65.00
Calibration tool for AUTOFLOW/MINIFLOW/SEMIFLOW	160.00
Washing tool for AUTOFLOW/MINIFLOW/SEMIFLOW	160.00
Float for liquid level sensor	25.00
Liquid level sensor with floats	250.00

1. Ex-works Lithuania.
2. Production time: 8-10 weeks.
3. Country of origin: EU.
4. Made from stainless steel materials.
5. Complies with EU standard CE certificates.
6. Payment terms – 50% with the order, 50% before loading the equipment.
7. Equipment is covered by 36-month warranty. Warranty period for bearings, engines and other bought parts are 12 months.

Capacity:

3I	300 bags per hour (~1000 l/h)
5I	280 bags per hour (~1400 l/h)
10I	250 bags per hour (~2500 l/h)
20I	120 bags per hour (~2400 l/h)



SEMIFLOW fills packages automatically. Just insert the bag or pouch into the Bag in Box filler and pull the handle. After the package is filled, return the filling handle into start position and cap the bag.



- Perfect for filling various liquids: from juice, wine, milk to broth, oil, soap, etc.
- Fills Bag in Box bags in sizes 1–30 L, Stand up Pouch packages in sizes 0,75–5 L.
- Suitable for both hot and cold fillings.
- Machine fills both Bag in Box and Stand-up Pouch packages with a tap.
- The filler can have an optional detachable buffer tank for hot filling. It is mounted conveniently on the side of the machine for better inspection and easier washing process. The buffer tank also reduces liquid foaming during hot filling process.
- The buffer tank has an integrated liquid level control inside for regulation of overspill and level in the tank. Buffer tank also comes with a connection to our pasteurizer.
- Error of volume repeatability is just $\pm 0,5 \%$.
- The filler pre-vacuums the bags and pouches before filling.
- Comes with touchscreen panel and multi-language menu.
- Easy-to-adjust filling table allows easily fill different volumes of Bag in Box & Stand-up Pouch packages.
- The working surface of the table consists of conveyor rollers which are easy to clean and help for the smooth slide of the bags and pouches.
- Is easy to clean after work with external and CIP cleaning.

