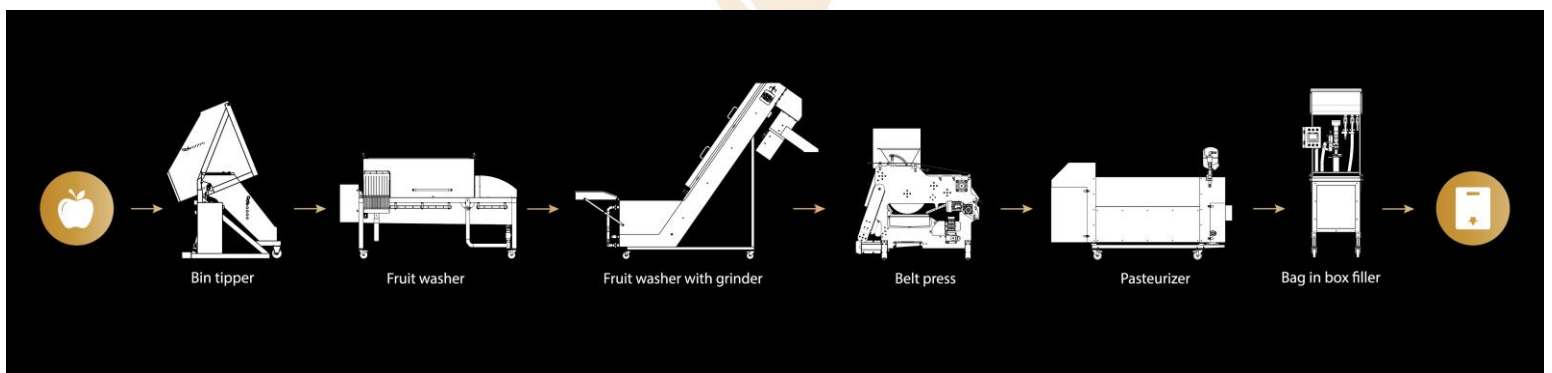


ProFruit Machinery™ is a family-based company that started with a father and son and their shared desire to offer more fruit, berry and vegetable processing possibilities for both leaders of their market and businesses that aspire to become such one day.

For almost 10 years we have been working with various fruit, berry and vegetable processing equipment in our juice production-based company “Savos sultys”. This way we have tried and tested the equipment from almost all producers in the market including it’s leaders. We have gained an extensive experience working with all the equipment parts of the processing lines, we constantly communicate with other producers and users of this equipment and for these reasons we truly understand what the effective work in fruit, berry and vegetable processing field requires.

Our core values are reliability, the highest quality and comprehensive assistance to the client in all matters. These values are also supported by the fact that our team consists of true professionals who have been working in a food processing equipment industry for more than 20 years and are capable of ensuring all the best engineering solutions.



**COMMERCIAL OFFER FOR A STONE FRUIT
PROCESSING LINE. THIS LINE OFFER IS JUST
REPRESENTATIONAL, CONTACT US AND WE WILL
PREPARE YOU THE EXACT LINE OFFER
ACCORDING TO YOUR NEEDS**

CAPACITY 1000kg/h

Description	Quantity	Capacity	Price EUR.	Pack. Cost Eur
Bin Tipper UNLOADER 800	1	800kg loading power	6 490.00	160.00
Sorting conveyor 3000x400	1		4 080.00	80.00
Fruit and vegetable washer elevator mill AQUAMILL 3000 with bubble washing	1	3000 kg/h	14 500.00	160.00
Stoning,pulping machine DESTONE 1000 (with loading hopper and impeller pump, adjustable speed, 10mm sieve	1	1000 kg/h	8890.00	80.00
Stoning,pulping machine DESTONE 1000 (with loading hopper and impeller pump, adjustable speed, 3mm sieve	1	1000 kg/h	8890.00	80.00
Stainless steel Closed type tank with oval manhole on top, CIP washing ball, conical bottom, 1000l	1	1000l	2 500.00	80.00
Mixer for stainless steel tanks with DN50 connection	1		2 350.00	80.00
Juice homogenizer	1	2000l/h	41 000.00	80.00
Diesel pasteurizer HEAT 1000	1	1200l/h	16 500.00	160.00
Monoblock for dosing + twist-off capping for bottles and jars, with rotational inlet table and gear pump (for viscous products)	1	Up to 800 bot/h	41 000.00	800.00
Automatic bottle labelling machine	1	1000 bot./h	8 900.00	80.00
Automatic Bag in Box and Stand up Pouch filler AUTOFLOW (with 45l buffer tank)	1	1000l/h	11 000.00	80.00
START UP SET FOR WHOLE LINE (air compressor, hoses, connections, fittings.)	1		1 500.00	
TOTAL:			168 520.00	



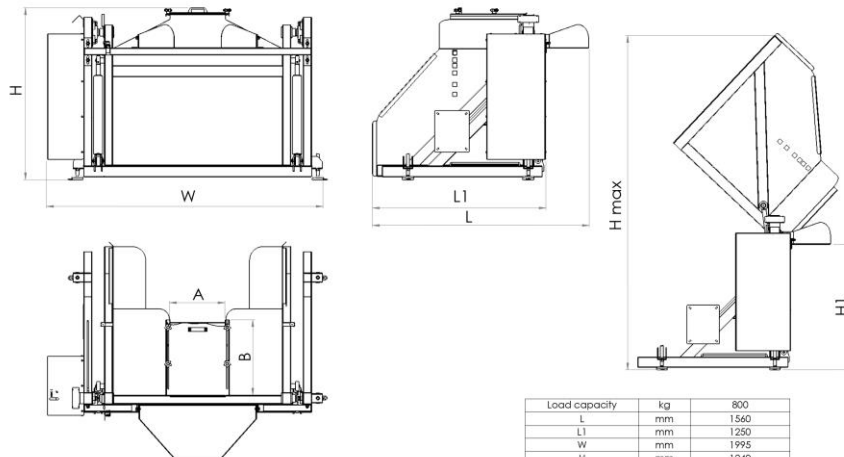
1. Ex-works Lithuania.
2. Production time: 20-26 weeks.
3. Country of origin: EU.
4. Made from stainless steel materials.
5. Complies with EU standard CE certificates.
6. Payment terms – 50% with the order, 50% before loading the equipment.
7. Equipment is covered by 36-month warranty. Warranty period for bearings, engines and other bought parts are 12 months




UNLOADER 800 is a first processing step during which the machine transfers fruit, vegetable or berries to the next stages of processing: washing, sorting or crushing. Bin tipper lifts the box and pours out the products into sorting conveyor, [AQUA](#) or [MAXIMILL](#).



- Bin tipper is entirely made of stainless steel.
- The machine has a hydraulic drive.
- The control of the machine are very simple: just put the box in and move the control handle to lift it up.
- Suitable for boxes with different dimensions. Max size: 120x120x85.
- Loading power – 800 kg.



	Machine	BIN TIPPER
	Type	UNLOADER 800

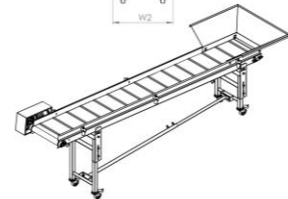
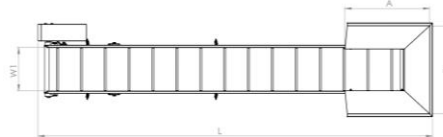
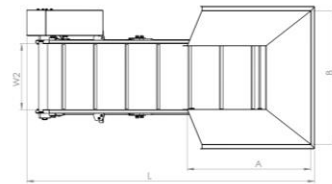
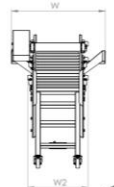
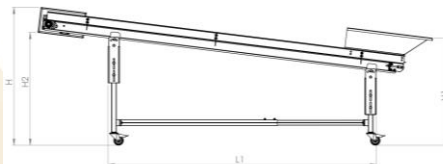
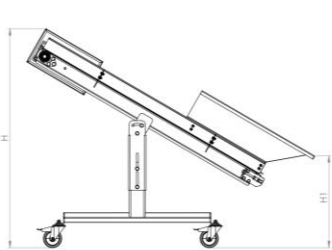
Load capacity	kg	800
L	mm	1560
L1	mm	1250
W	mm	1995
H	mm	1240
H1	mm	945
H max	mm	2570
Ax8	mm	400x540
Box max size W x L x H	mm	1200x1200x850
Dry weight	kg	330
Supply source	kW	1.6
Supply voltage	V	3/N/PE - 400 V 50Hz


Sorting conveyor is used in a fruit, berry and vegetable processing line for sorting and drying the products.

Sorting conveyor transports products from one machine to the other. We produce two different length sorting conveyors: 1,5 m and 3 m length. We also accept individual orders for machine with different measurements.



- Measurements: 1500×400 and 3000×400 mm.
- Simple and user-friendly maintenance.
- Convenient sorting tape non-conditional fruits and vegetables.
- Machine also has pivoting wheels.
- Sorting conveyors are easy to clean after using



	Machine	Sorting conveyor for sorting and drying the products
	Type	SC - 1500

W	mm	780
H	mm	1120 - 1200
H1	mm	500 - 420
L	mm	1580
W1	mm	480
W2	mm	360
AxB	mm	680x730
Weight	kg	75
Supply source	kW	0.37
Supply voltage	V	3/N/PE - 400 V 50Hz

	Machine	Sorting conveyor for sorting and drying the products
	Type	SC - 3000

W	mm	780
H	mm	1120 - 1200
H1	mm	640 - 930
H2	mm	895 - 975
L	mm	3280
L1	mm	2230
W1	mm	360
W2	mm	500
AxB	mm	704x730
Weight	kg	180
Supply source	kW	0.37
Supply voltage	V	3/N/PE - 400 V 50Hz

The fruit bubble washer elevator mill **AQUAMILL** is made from stainless steel. Machine is suitable for various fruits, berries and vegetables.

Firstly, the operator of the machine pours products into the bubble washing tub with clean water. The tub is connected to the air flow which leads to water circulation and creates a bubble washing effect on products. The bubble washing provides excellent cleaning as well as helps fruits, berries and vegetables move straight to the elevator, granting a more convenient work process.

Then conveyor lifts the products up to the mill which crushes them into a mash. During the lifting process, water nozzles spray fruits, berries and vegetables with clean water. The product mash falls out of the mill for further pressing or destoning process.

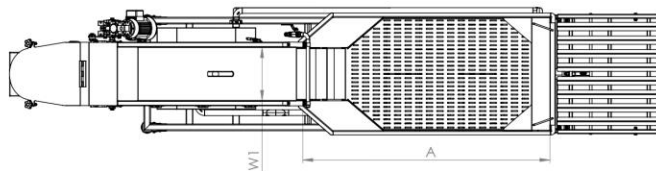
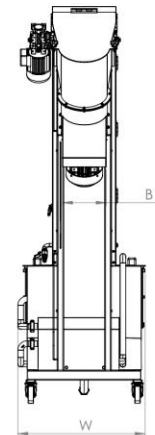
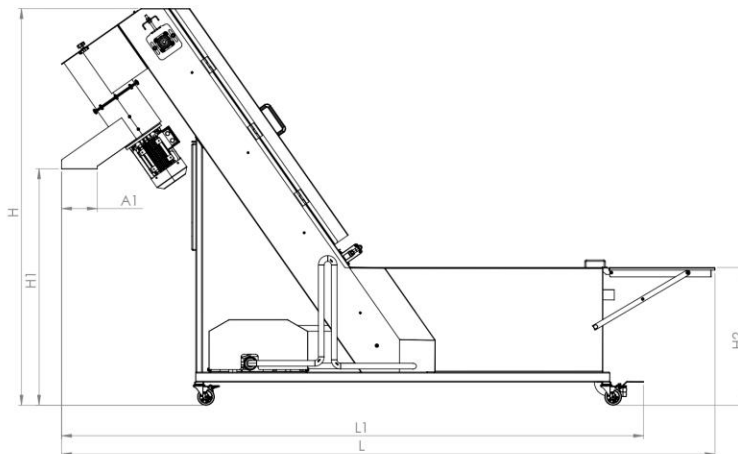


- Machine has a bubble washing tub which provides excellent cleaning as well as helps fruits, berries and vegetables move straight to the elevator.
- The bubble washing tub is spacious and can contain big amount of products at once.
- The crushing head of the machine is round, so all the crushed mash goes directly out for further processing. This feature significantly helps when washing the head as there are no corners. Our round shape technology is superior to other producers', because a lot of fruit mash gets stuck in the corners of square-shaped heads for hours and can cause juice fermentation!
- Fruit bubble washer elevator mill has additional table in front of the basin for putting fruits or boxes on it.
- Integrated water-spraying system provides additional




washing when lifting the fruits up the conveyor.

- Belt conveyor has a water drainage and speed regulation system.
- Optional replaceable cutting graters/sieves are available for different fruits and berries.
- The mill does not damage the fruit seed.
- Powerful 5.5 kW crushing engine can crush various fruits, berries and vegetables – from soft raspberries to hard apples, beets, etc.
- Machine is entirely made of stainless steel and easy to clean after using.



Output	kg/h	3000
L	mm	3860
L1	mm	3437
W	mm	760
W1	mm	320
H	mm	2342
H1	mm	1396
H2	mm	813
AxB	mm	1460x668
A1xB1	mm	210x258
Dry weight	kg	225
Supply source	kW	6.8
Supply voltage	V	3/N/PE ~ 400 V 50Hz

	Machine	Fruit and vegetable washer-elevator-grinder
	Type	AQUAMILL 3000

DESTONE 1000 is designed to separate fruit and berry pulp from the stone and press the pulp into mash for further processing.

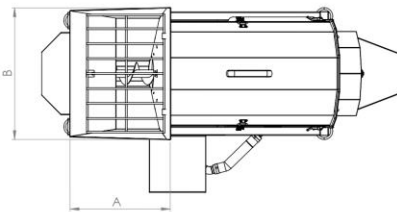
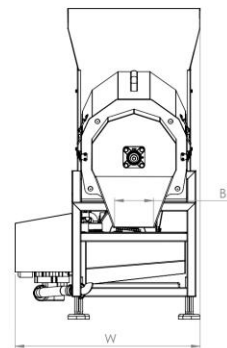
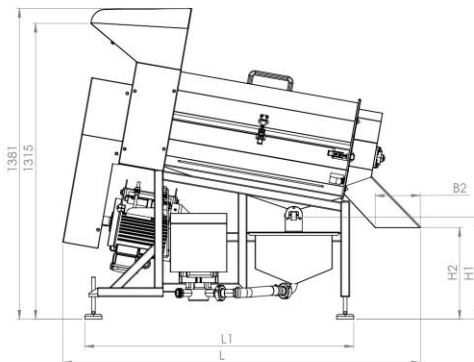
The inside of a destoning pulping machine consists of a screw, that is mounted in the middle, and sieve, that is attached to the sides of the machine. After the fruits or berries are loaded into the destoning and pulping machine, the screw fastly rotates the product and this way presses it through the sieve. This way machine presses clear fruit or berry puree through the sieve. Stones, seeds and peel leave the machine through a special outlet. The puree comes out of machine through a separate outlet.




- For further processing and thinner puree, the pulping process can be repeated with another sieve. Puree can be further loaded into the pneumatic press, belt press or rotational filter.
- The machine comes with one integrated sieve. A client can order additional sieves according to his needs.
- Destoning & pulping machine functions automatically.
- Machine is easy to clean with no closed or inaccessible spaces, all parts are easy to assemble.
- The machine is entirely made of stainless steel and has pivoting wheels.
- The belt press includes a high-pressure washer, which continuously washes the belt of the machine. Our belt washing system is simple, does not contain any engines or reducers, so it prolongs the use time and saves the

Available sieve options:

- With 0,6-2 mm holes – for pressing puree from berries with small seeds or for repetitive pulping process of already destoned pulp.
- With 3 mm holes – to get a puree from crushed pome fruits, such as apples, pears, guavas, etc.
- With 3 or 5 mm holes – for cherries and small plums.
- With 8 mm holes – for bigger plums, apricots, peaches.
- With 10 mm holes – for mangoes and similar fruits.



	Machine	Fruit and Berry pulp separate from the stone and press the pulp into mash for further processing
	Type	DESTONE 1000

Output	kg/h	1000
L	mm	1588
L1	mm	1194
W	mm	822
H	mm	1381
H1	mm	454
H2	mm	408
H3	mm	1315
AxB	mm	445x585
B1	mm	174
B2	mm	200
Dry weight	kg	220
Supply source	kW	5.9
Supply voltage	V	3/N/PE ~ 400 V 50Hz

Closed type tank 1000 L:

- Diameter of the tank 955 mm
- Hight of the jacket 1500 mm
- Hight legs 400 mm 3 pcs
- Adjustable legs 3 pcs
- Material AISI304
- Bellow and on the top dish bottom
- Cooling jakcte hight 750 mm (max working pressure 1,8 bar)
- On the site oval manhole art. A5 Fratelli Laveggi
- Total outlet inox butterfly valve DN40
- Parcial outlet inox butterfly valve DN40
- Carbonation stone DN40 with inox ball valve BSP3/8«
- Digital termometer with inox probe BSP1/2«
- Inox sample tap DN20
- On the back site inox probe BSP1/2«
- Inox table with technical data
- Inox support for ladder
- On the to safety valve BSP1/2«
- On the top inside CIP rotation spray ball, outside inox tube with inox butterfly valve DN40on
hight 1200 mm
- Pressure regulator art. Vario fixed on the CIP tube
- Max working pressure into tank 2 bar
- All internal welds are flat and high polish
- External surface are marbelated

Tank with agitator is the perfect choice for containing and mixing various liquid products (including viscous products), such as different juice, puree, sauce, broth, etc. Tank with agitator is a great choice especially for mixing various juices, e.g. apple, carrot, berry, etc.



Mixer's connection fitting (garolla DIN 11851, TRICLOVER, etc.) and mechanical seal (standard steel/graphite) can be made by a customer request according to necessary specifications. All machine's parts in contact to the product are made from stainless steel AISI 304.



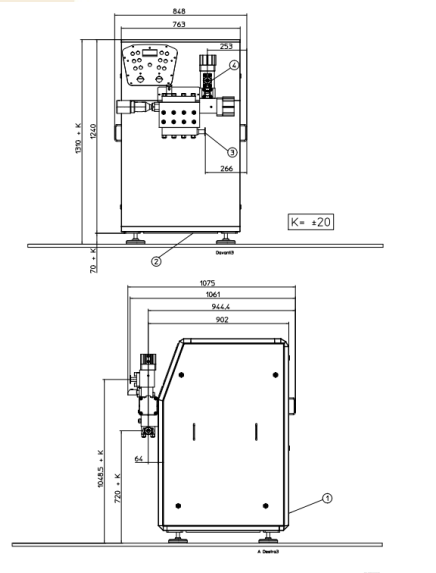
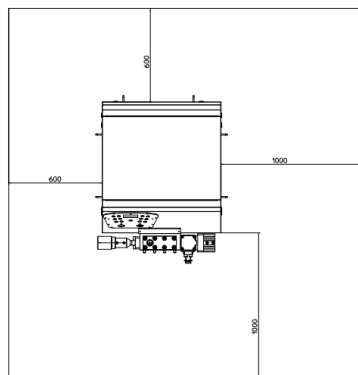
- Power: 0.75 kW
- Rod length: 650 mm
- Speed 1400 RPM
- Propeller width: 155 mm
- Weight 20 kg
- Maximum tank capacity: 200 hl
- Comes with anti-dust cover which protects the liquid inside.
- Stainless steel tanks are easy to clean after using.

Homogenization process involves forcing the liquid through small openings under high pressure, thus breaking up various sediments into smaller pieces. This way **JUICE HOMOGENIZER** produces juice which does not settle down in layers after some time – it preserves unified liquid.
Capacity: 1000-3000 l/h (depends on the pressure that is used on the liquid).



- Juice homogenizer has a direct transmission system with trapezoidal belts and pulleys.
- Hydro-pneumatic adjustment of the pressure ensures the stability of the machine.
- Machine has a digital pressure transmitter with ceramic membrane for a more convenient usage.
- The machine has an overpressure valve as well as flow switch alarm.
- Central control box and control panel ensures an easy and convenient work.
- Machine has an easy opening panel.

ITEM	DESCRIPTION	CONNECTION
1	INLET WATER / AIR	G 1/2"
2	OUTLET WATER	G 1/2"
3	PRODUCT INLET	G 1"
4	PRODUCT OUTLET	G 1"



Diesel pasteurizer **HEAT 1000** pasteurizes various liquids before the filling process. The liquid comes into the tubular spiral which is surrounded by hot water. The heat from the water heats up the liquid and eliminates the bacteria.

One of our highest machinery achievements is our energy-saving solution integrated into our pasteurizers. It saves the heating energy up to 15-20 % and results in incredibly low heating costs. Calculations show that it costs up to 2 Euro Cents to pasteurize 1 liter of liquid.

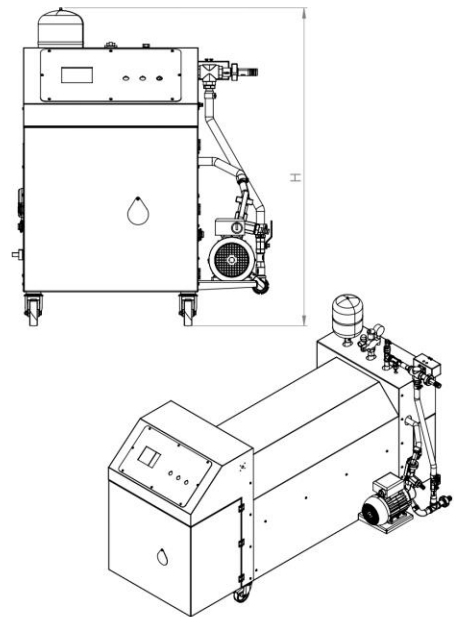
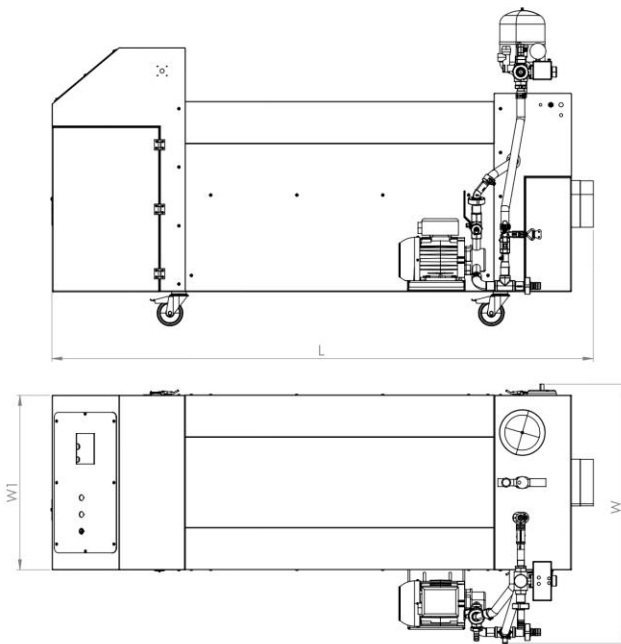
Capacity per hour – 900-1250 L of 80 °C (176 °F) heated juice.



- The pasteurizer is suitable to heat various liquids, including viscous liquids: juice, puree, wine, broth, milk and other.
- The maximum heating temperature of a pasteurizer is 90 °C (194 °F).
- Our pasteurizers are equipped with highest quality German diesel and gas burners GIERSCHE.
- The heating power is 110 kW.
- Pasteurizers' heating chambers are covered with special heat-insulating paint which preserves high temperature for a longer time and increases heating capacity.
- Diesel/gas pasteurizer has a digital thermostat which provides an automatic water temperature control.
- Automatic regulation of juice temperature ensures an easy way to change the filling temperature on digital display.



- The pasteurizer is fast and easy to clean. It can be washed by CIP cleaning together with our Bag in Box fillers.
- The boiler has an integrated spiral. This provides saving of space and also prevention of heat loss when pumping the water into external heat exchanger. As a result, this technology saves the heating energy up to 15-20%.
- Machine can use diesel or gas on client's request.



	Machine	Diesel Pasteurizer
	Type	HEAT100

Output	kg/h	1700
L	mm	2100
W	mm	1000
W1	mm	680
H	mm	1235
Capacity	l/h	900 - 1200
Max heating temp.	C	90
Weight	kg	290
Fuel consumption	l/h	7-10
Supply source	kW	1.1
Supply voltage	V	3/N/PE - 400 V 50Hz

BOTTLE FILLING AND CAPPING STATION-MONOBLOCK is designed to fill bottles and jars with various liquids, and close them with a twist-off cap.



The bottle filling capping machine is perfect to fill various liquids: from water-like to dense food products: juice, milk, puree, jam, marmalade, etc. Machine is ideal for dense and partially dense products – it gives a higher precision in the dosing without pressure adjustments, thanks to the quick electronic adjustment.



This solution is ideal for small to medium producers of food products, as it allows to work with a speed of about 500-800 bottles/hour, with a minimum manual handling by the operator.

When using the machine, first the bottles are manually placed on the bottle storing table. From there the conveyor transports them to the filling area where a bottle is filled with liquid and capped with a twist-off cap. Lastly, the conveyor transports the filled bottles out of the machine.

Output: 500-800 bottles/hour

- Ideal for dense and partially dense products (purees, sauces, etc.)
- Stainless steel construction, fixed on height-adjustable feet.
- Safety panels with micro-switches for stopping the machine in case of emergency.



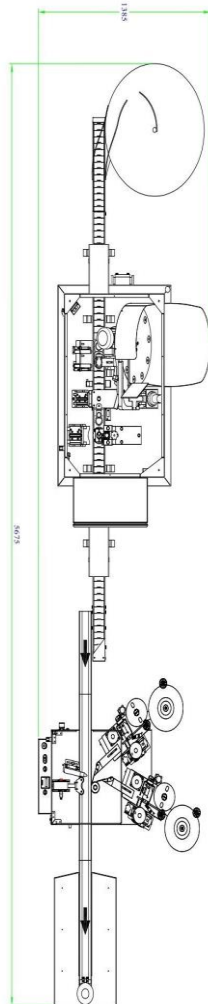
- Linear conveyor section, 2 m long, with motorized drive and bottle storing table.
- Pneumatic bottle stopper under the dosing valve (no jar – no fill)
- Suitable for both hot (up to 90°C / 194°F) and cold filling to glass bottles.
- Machine fills the bottles using an electronically controlled dosing system with gear pump which grants high precision.
- Touchscreen panel with recording of the doses, allowing a wide range of min/max filling (starting from 20cc).
- Air operated twist capper, with low rpm operation and adjustable power. It also has a pneumatic piston for up/down motion of the capsuling head.
- CIP washing option, which allows to put the pump in continuous running way to clean it by water or detergent.

Options for a fully automatic mode:

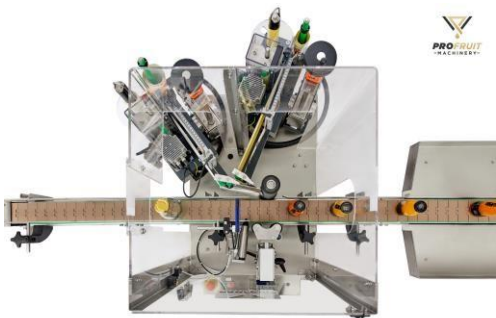
- To increase capacity up to 1200 bottles/h – we can offer upgraded version with rotational starwheel.
- Double stopping position of the bottle for cap dispensing and closing.
- Magnetic type sorting bowl and feeder for caps.
- Adjustable chute to fit different sizes of capsules.
- Cap presence with photocell sensors.

Specification information:

- Compressed air need : 150 lt/m' at 6 bars
- Standard Power: 0,37KW – 380V 3Ph (or 220V 1Ph) 50 Hz



AUTOMATIC BOTTLE LABELING MACHINE is used for placing self-adhesive labels onto various



Bottle labeling machine is suitable for self-adhesive labels from reel, with max. Ø.220mm. The maximum label roll height is 150mm, higher sizes are available on demand. The positioning height of the labeling units can be easily adjusted. The labeling units can be quickly set to apply labels with different sizes and shapes.

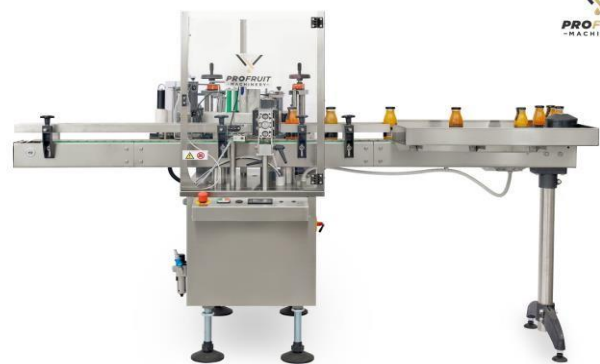
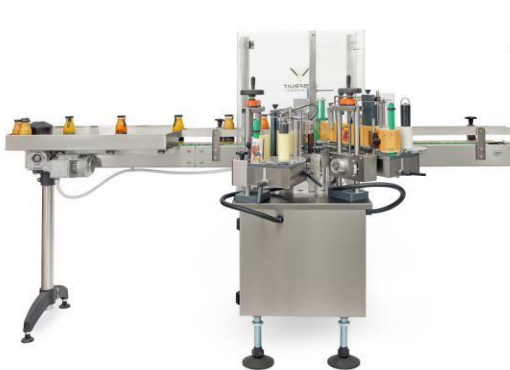
The operation of the machine is controlled by the touchscreen panel. The timing of the label release can be adjusted, changing consequently the position of the labels on the bottle, until the exact placement is achieved (adjustment by a potentiometer).

- Bottle labeling machine has safety covers made from plexiglass.
- Infeed separating cylinder – no need to change components for different bottle sizes
- One labelling station for application of self-adhesive body label (max paper passage H.150mm)
- Labelling unit motion is done by a stepping motor
- Labelling unit is supplied with a loading plate for a roll Ø.250mm max.
- Labelling unit is adjustable in height, for the easiest adjustment to the different types of labels and bottles (adjustment by handle).
- Machine has a touchscreen panel for adjusting the labelling settings.
- There is a start signal for labels release by precision sensor.

- Speed of labelling unit is synchronized with the speed of the machine.
- There is no drive motor for chain supplied, no conveyor chain supplied.
- Machine's base-frame is completely covered with

stainless steel plate.

- Aluminium parts are covered with anti-rust painting.



Specification informaton:

Output

1.000 bph – fixed speed

Applications
from reel

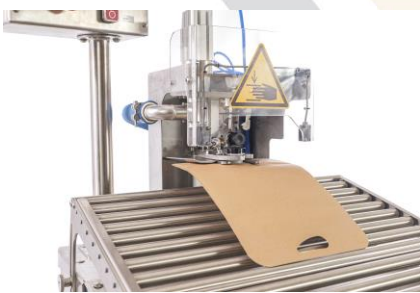
Front body labels, self-adhesive type

Bottles
Ø. 55-110mm

Cylindrical bottles – Min – Max.

- Standard height of conveyor from floor: 900 mm (adjustable +/-50mm)
- Standard Voltage: 400 / 50HZ / 3-phases
- Standard conveyor frame length: 1.500 mm

AUTOFLOW fills packages fully automatically by pressing one button. Just insert a package into the filler and press START button – machine automatically removes the tap, vacuums the bag, fills it with liquid and closes the bag. The full filling process of 3 L bag takes ~7 seconds.



- Bag in Box filler AUTOFLOW is extremely versatile. It is perfect for filling various liquids: from juice, wine, milk, broth, oil, to cream, coffee, ice cream, motor oil, chemicals, etc.
- Machine fills Bag in Box bags in sizes 1–30 L, Stand up Pouch packages in sizes 0,75–5 L. It is also possible to fill 220 L bags with a special filling gun.
- Suitable for both hot and cold filling.
- The filler can have optional interchangeable filling heads. This way with one filler you can fill bags with different closures, such as tap, milk tube, screw cap, simple cap, etc.
- The laser safety mechanism protects limbs by automatically stopping & cancelling the filling process in case of an accident.
- High-quality automatic filling head provides stable and smooth filling process.
- The filler can have an optional detachable buffer tank for hot filling. It is mounted conveniently on the side of the machine for better inspection and easier washing process. The buffer tank also reduces liquid foaming during hot filling process.
- The buffer tank has an integrated liquid level control inside for regulation of overspill and level in the tank. The buffer



tank also comes with a connection to our pasteurizer.

- Error of volume repeatability is just $\pm 0,5 \%$.
- The filler comes with a touchscreen panel and multi-language menu.
- The easily adjustable filling table allows you to easily fill different volumes of Bag in Box & Stand-up Pouch packages.
- The filler is easy to clean after work with external and CIP cleaning.

