

ProFruit Machinery™ is a family-based company that started with a father and son and their shared desire to offer more fruit, berry and vegetable processing possibilities for both leaders of their market and businesses that aspire to become such one day.

For almost 10 years we have been working with various fruit, berry and vegetable processing equipment in our juice production-based company “Savos sultys”. This way we have tried and tested the equipment from almost all producers in the market including it’s leaders. We have gained an extensive experience working with all the equipment parts of the processing lines, we constantly communicate with other producers and users of this equipment and for these reasons we truly understand what the effective work in fruit, berry and vegetable processing field requires.

Our core values are reliability, the highest quality and comprehensive assistance to the client in all matters. These values are also supported by the fact that our team consists of true professionals who have been working in a food processing equipment industry for more than 20 years and are capable of ensuring all the best engineering solutions.



**COMMERCIAL OFFER FOR FRUIT AND VEGETABLE
WASHER ELEVATOR MILL **MAXIMILL 1000****

Description	Capacity	Quantity	Price EUR.	Pack. Cost Eur
Fruit and vegetable washer elevator mill MAXIMILL 1000	1000 kg/h	1	6 990.00	160.00
TOTAL:			7 150.00	

Optional	Price EUR.
Stop and go (automatic MAXIMILL communication) system option	600.00
Additional payment for different el. supply	300.00
Sieve for crusher with different holes on request (for berries, stonefruits, vegetables)	200.00
Different measurements or individual solution for the machine	On request

Spare parts	Price EUR.
Spare MAXIMILL/DOSIMILL 1000 crusher motor	500.00
Spare MAXIMILL 1000/3000 conveyor engine and reducer	350.00
Spare sieve for crusher with different holes on request	200.00
Spare mill for MAXIMILL	400.00
Spare conveyor belt set	850.00
Spare 1 pc. Belt module	10.00
Bearing for conveyor axis	80.00
Stainless steel wheel	25.00

1. Ex-works Lithuania.
2. Production time: 8-10 weeks.
3. Country of origin: EU.
4. Made from stainless steel materials.
5. Complies with EU standard CE certificates.
6. Payment terms – 50% with the order, 50% before loading the equipment.
7. Equipment is covered by 36-month warranty. Warranty period for bearings, engines and other bought parts are 12 months.

MAXIMILL 1000 is made from stainless steel. Firstly, the operator of machine pours fruits and vegetables into the washing tub with clean water. Conveyor lifts the products up to the mill. During the lifting process, water nozzles spray the fruits and vegetables with clean water. The mill crushes the products after they reach the top of the conveyor. Finally, the fruit and vegetable mash come out of mill.

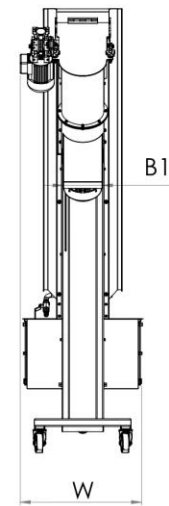
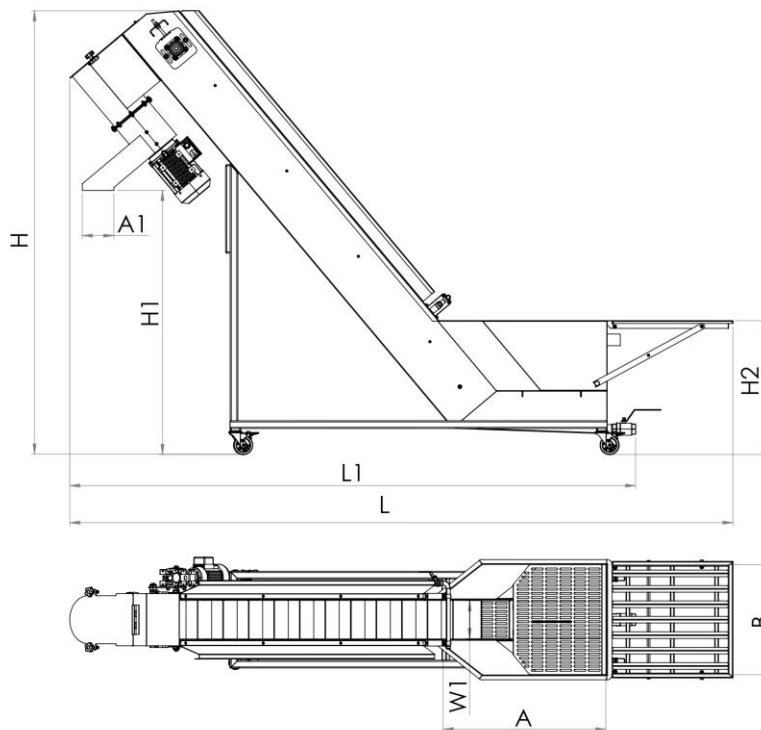



- The crushing head of the machine is round. All the crushed mash goes directly out for further processing. This feature significantly helps when washing the head, as there are no corners. Usually a lot of fruit mash gets stuck in the corners of square-shaped heads for hours and can cause juice fermentation. For that reason, our round shape technology is superior to other producers'.
- The machine has an additional table in front of the basin for putting fruits or boxes on it. It facilitates the process of pouring the products into the basin.
- V form washing basin helps fruits and vegetables move directly to the conveyor, therefore less fruit stay in the basin.
- Integrated water-spraying system provides additional washing when lifting the fruits up the conveyor.
- Belt conveyor has a water drainage and speed regulation system.
- The speed of the belt conveyor is adjustable in the



control panel.

- Optional replaceable cutting graters/sieves are available for different fruits and berries.
- The mill does not damage the fruit seed.
- The machine is easy to clean after using.
- Powerful 2.2 kW crushing engine can crush various fruits, berries and vegetables – from soft raspberries to hard apples, beets, etc.
- The machine is entirely made of stainless steel.
- Same bigger efficiency machine [MAXIMILL 3000](#)



	Machine	Fruit and vegetable washer-elevator-grinder
	Type	Maximill 1000

Output	kg/h	1000
L	mm	3440
L1	mm	2935
W	mm	630
W1	mm	200
H	mm	2300
H1	mm	1370
H2	mm	700
AxB	mm	840x570
A1xB1	mm	165x205
Dry weight	kg	195
Supply source	kW	3.0
Supply voltage	V	3/N/PE ~ 400 V 50Hz