

ProFruit Machinery™ is a family-based company that started with a father and son and their shared desire to offer more fruit, berry and vegetable processing possibilities for both leaders of their market and businesses that aspire to become such one day.

For almost 10 years we have been working with various fruit, berry and vegetable processing equipment in our juice production-based company “Savos sultys”. This way we have tried and tested the equipment from almost all producers in the market including it’s leaders. We have gained an extensive experience working with all the equipment parts of the processing lines, we constantly communicate with other producers and users of this equipment and for these reasons we truly understand what the effective work in fruit, berry and vegetable processing field requires.

Our core values are reliability, the highest quality and comprehensive assistance to the client in all matters. These values are also supported by the fact that our team consists of true professionals who have been working in a food processing equipment industry for more than 20 years and are capable of ensuring all the best engineering solutions.



COMMERCIAL OFFER

FRUIT AND VEGETABLE WASHER ELEVATOR

Description	Capacity	Quantity	Price EUR.	Pack. Cost Eur
Fruit and vegetable washer elevator	3000 kg/h	1	6 000.00	160.00

Optional	Price EUR.
Additional payment for different el. supply	300.00
Different measurements or individual solution for the machine	On request

Spare parts	Price EUR.
Spare conveyor engine and reducer	350.00
Spare conveyor belt set	850.00
Spare 1 pc. Belt module	10.00
Bearing for conveyor axis	80.00
Stainless steel wheel	25.00

1. Ex-works Lithuania.
2. Production time: 8-10 weeks.
3. Country of origin: EU.
4. Made from stainless steel materials.
5. Complies with EU standard CE certificates.
6. Payment terms – 50% with the order, 50% before loading the equipment.
7. Equipment is covered by 36-month warranty. Warranty period for bearings, engines and other bought parts are 12 months.

Fruit Washer Elevator is designed to wash and transport various fruits and vegetables before further processing. Machine does not have a mill.



Firstly, the operator of the machine pours fruits and vegetables into the washing tub with clean water.

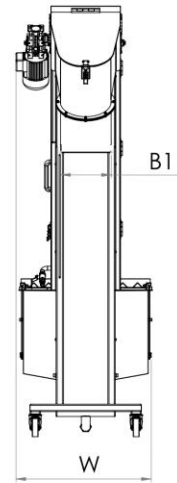
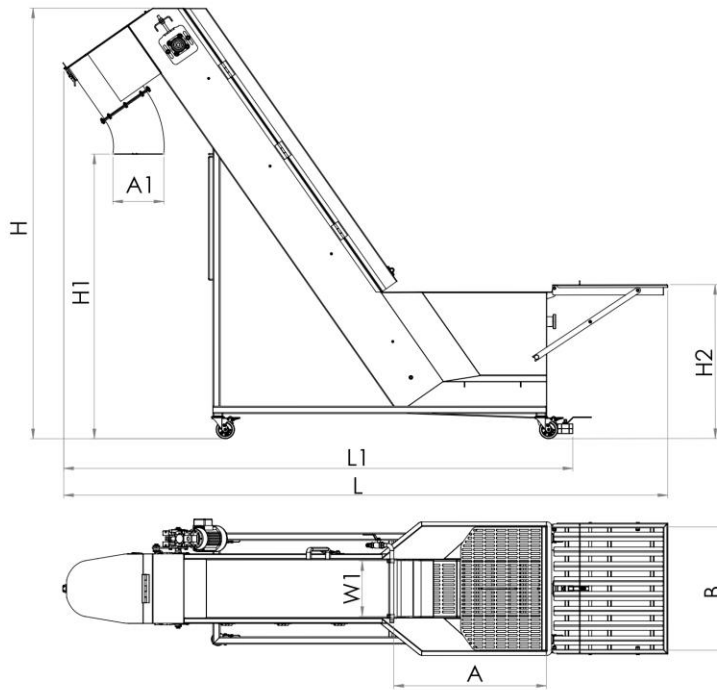
Then conveyor lifts the products up to the outlet which transfers the products to further processing (destoning-pulping or other). During the lifting process, water nozzles spray the fruits and vegetables with clean water.


Capacity – 3000 kg/h.



- Fruit washer elevator has an additional table in front of the basin for putting fruits or boxes on it. It facilitates the process of pouring the products into the basin.
- V form washing basin helps fruits and vegetables move directly to the conveyor, therefore less fruit stay in the basin.
- Integrated water-spraying system provides additional washing when lifting the fruits up the conveyor.
- Belt conveyor has a water drainage and speed regulation system.
- The speed of the belt conveyor is adjustable in the control panel.
- Machine does not have a mill, so it is perfect for using it together with [Destoning pulping machine](#).
- Machine is entirely made of stainless steel.





	Machine	Fruit and vegetable washer-elevator
	Type	Maximill 3000

Output	kg/h	3000
L	mm	3260
L1	mm	2750
W	mm	730
W1	mm	300
H	mm	2300
H1	mm	1535
H2	mm	795
AxB	mm	880x670
A1xB1	mm	∅ 273
Dry weight	kg	220
Supply source	kW	0.6
Supply voltage	V	3/N/PE ~ 400 V 50Hz