

ProFruit Machinery™ is a family-based company that started with a father and son and their shared desire to offer more fruit, berry and vegetable processing possibilities for both leaders of their market and businesses that aspire to become such one day.

For almost 10 years we have been working with various fruit, berry and vegetable processing equipment in our juice production-based company “Savos sultys”. This way we have tried and tested the equipment from almost all producers in the market including it’s leaders. We have gained an extensive experience working with all the equipment parts of the processing lines, we constantly communicate with other producers and users of this equipment and for these reasons we truly understand what the effective work in fruit, berry and vegetable processing field requires.

Our core values are reliability, the highest quality and comprehensive assistance to the client in all matters. These values are also supported by the fact that our team consists of true professionals who have been working in a food processing equipment industry for more than 20 years and are capable of ensuring all the best engineering solutions.



**COMMERCIAL OFFER FOR DESTONING AND  
PULPING MACHINE DESTONE 500/1000/2000**

Description	Capacity	Quantity	Price EUR.	Pack. Cost Eur
Stoning,pulping machine <b>DESTONE 500</b> (with one optional sieve)	500 kg/h	1	3 600.00	80.00
Stoning,pulping machine <b>DESTONE 1000</b> (with one optional sieve)	1000 kg/h	1	5 300.00	80.00
Stoning,pulping machine <b>DESTONE 2000</b> (with one optional sieve)	2000 kg/h	1	6 600.00	160.00

Optional	Price EUR.
Juice collection tank with pump for DESTONE, 120l	1 880.00
Loading hopper and impeller pump for DESTONE	1 980.00
Additional sieve for DESTONE 500 (Holes size from 0.6mm till 12mm)	500.00
Additional sieve for DESTONE 1000 (Holes size from 0.6mm till 12mm)	600.00
Additional sieve for DESTONE 2000 (Holes size from 0.6mm till 12mm)	800.00
Adjustable speed for DESTONE 500/1000/2000	1000.00
Additional payment for different el. supply	300.00

Spare parts	Price EUR.
Rubber gasket for DESTONE 500/1000/2000	60.00
Engine for DESTONE 500	400.00
Engine for DESTONE 1000	600.00
Engine for DESTONE 2000	1000.00
Engine belt for DESTONE	80.00
Bearing for DESTONE	50.00



Available sieve options:

- With 0,6-2 mm holes – for pressing puree from berries with small seeds or for repetitive pulping process of already destoned pulp.
- With 3 mm holes – to get a puree from crushed pome fruits, such as apples, pears, guavas, etc.
- With 3 or 5 mm holes – for cherries and small plums.
- With 8 mm holes – for bigger plums, apricots, peaches.
- With 10 mm holes – for mangoes and similar fruits.

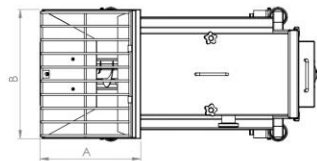
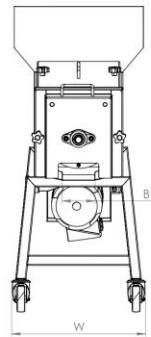
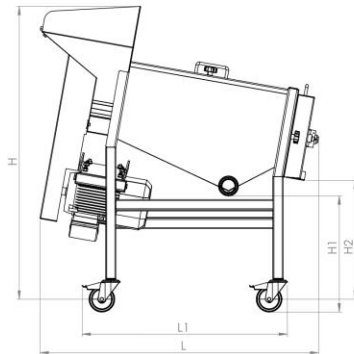
1. Ex-works Lithuania.
2. Production time: 8-10 weeks.
3. Country of origin: EU.
4. Made from stainless steel materials.
5. Complies with EU standard CE certificates.
6. Payment terms – 50% with the order, 50% before loading the equipment.
7. Equipment is covered by 36-month warranty. The warranty period for bearings, engines and other bought parts are 12 months.
8. One sieve is included.


**DESTONE** is designed to separate fruit and berry pulp from the stone and press the pulp into mash for further processing.

The inside of a destoning pulping machine consists of a screw, that is mounted in the middle, and sieve, that is attached to the sides of the machine. After the fruits or berries are loaded into the destoning and pulping machine, the screw fastly rotates the product and this way presses it through the sieve. This way machine presses clear fruit or berry puree through the sieve. Stones, seeds and peel leave the machine through a special outlet. The puree comes out of machine through a separate outlet.

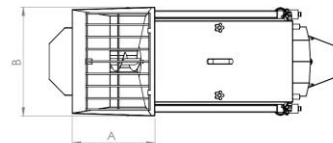
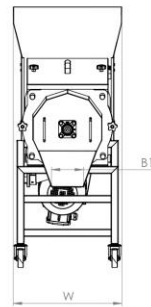
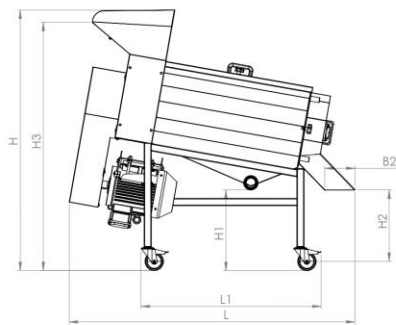



- For further processing and thinner puree, the pulping process can be repeated with another sieve. Puree can be further loaded into the pneumatic press, belt press or rotational filter.
- The machine comes with one integrated sieve. A client can order additional sieves according to his needs.
- Destoning & pulping machine functions automatically.
- Machine is easy to clean with no closed or inaccessible spaces, all parts are easy to assemble.
- The machine is entirely made of stainless steel and has pivoting wheels.
- The belt press includes a high-pressure washer, which continuously washes the belt of the machine. Our belt washing system is simple, does not contain any engines or reducers, so it prolongs the use time and saves the



	Machine	Fruit and Berry pulp separate from the stone and press the pulp into mash for further processing
	Type	DESTONE 500

Output	kg/h	500
L	mm	1090
L1	mm	800
W	mm	524
H	mm	1194
H1	mm	454
H2	mm	515
AxB	mm	400x505
B1	mm	129
Dry weight	kg	1000
Supply source	kW	2.2
Supply voltage	V	3/N/PE ~ 400 V 50Hz



	Machine	Fruit and Berry pulp separate from the stone and press the pulp into mash for further processing
	Type	DESTONE 1000

Output	kg/h	1000
L	mm	1550
L1	mm	977
W	mm	590
H	mm	1405
H1	mm	436
H2	mm	436
H3	mm	1343
AxB	mm	489x589
B1	mm	174
B2	mm	164
Dry weight	kg	170
Supply source	kW	5.5
Supply voltage	V	3/N/PE ~ 400 V 50Hz