

ProFruit Machinery™ is a family-based company that started with a father and son and their shared desire to offer more fruit, berry and vegetable processing possibilities for both leaders of their market and businesses that aspire to become such one day.

For almost 10 years we have been working with various fruit, berry and vegetable processing equipment in our juice production-based company “Savos sultys”. This way we have tried and tested the equipment from almost all producers in the market including it’s leaders. We have gained an extensive experience working with all the equipment parts of the processing lines, we constantly communicate with other producers and users of this equipment and for these reasons we truly understand what the effective work in fruit, berry and vegetable processing field requires.

Our core values are reliability, the highest quality and comprehensive assistance to the client in all matters. These values are also supported by the fact that our team consists of true professionals who have been working in a food processing equipment industry for more than 20 years and are capable of ensuring all the best engineering solutions.



**COMMERCIAL OFFER FOR BELT PRESS
POWERPRESS 3000**

Description	Capacity	Quantity	Price EUR.	Pack. Cost Eur
Belt press POWERPRESS 3000 (high pressure washer, integrated pump and juice collection tank are included)	3000 kg/h	1	61 500.00	210.00
TOTAL:			61 710.00	

Spare parts	Price EUR.
Spare belt for POWERPRESS 3000	1000.00
High pressure washer	700.00
High pressure nozzle for belt washing	30.00
Spare bearing for POWERPRESS 1500/3000	60.00
Air preparation unit	95.00
Pneumatic belt centering valve	300.00
Air compressor	150.00
Pump for juice collection tank	600.00
Impeller for juice pump	80.00
Frequency inverter for belt speed	300.00
Float for juice collection tank	60.00

1. Ex-works Lithuania.
2. Production time: 8-10 weeks.
3. Country of origin: EU.
4. Made from stainless steel materials.
5. Complies with EU standard CE certificates.
6. Payment terms – 50% with the order, 50% before loading the equipment.
7. Equipment is covered by 36-month warranty. Warranty period for bearings, engines and other bought parts are 12 months.

Belt press **POWERPRESS 3000** is designed for pressing fruit, berry and vegetable mass. Fruit mass is placed on the belt which presses it against cylinders.

The obtained juice flows into integrated collection tank under the press. Then the pump transfers the juice from the press to a desired tank for further processing. The pressing process is continuous.

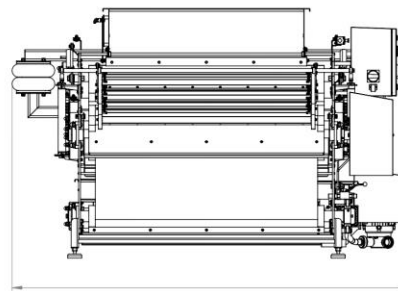
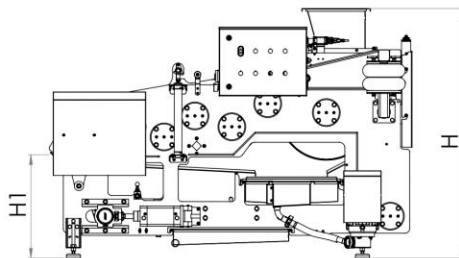


- The most evolutionary feature of our Belt press POWERPRESS line is that belt presses come with integrated pump and juice collection tank. This means you save money and do not need an additional juice collection tank and pump which otherwise would use much space and cause additional costs.
- The juice yield of apples using our belt press is ~75 %.
- There is a filtration sieve integrated into the juice collection tank. It filtrates the juice even during the pressing stage providing cleaner and purer product.
- The belt presses work automatically: when the mash inlet tank is full, all other machines, which come before belt press, turn off automatically. When the juice tank is full, the pump automatically pumps the juice into the tanks.
- The belt press includes a high-pressure washer, which continuously washes the belt of the machine. Our belt washing system is simple, does not contain any engines or reducers, so it prolongs the use time and saves service costs.
- After work, belt press should be manually washed with a

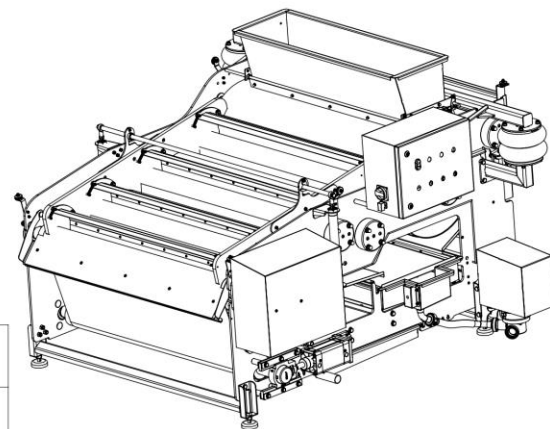
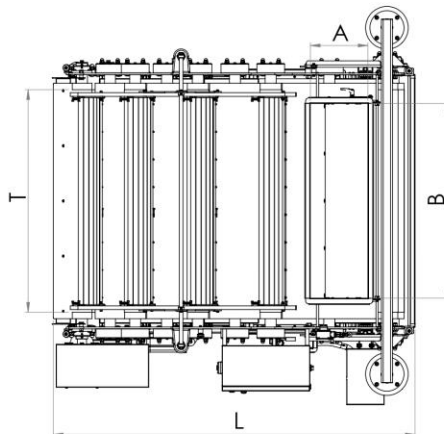


water stream. A full washing process takes around 15-20 minutes. Washing is simple and all the parts of the belt press are easily removable without any tools.

- Pneumatic lifting of the security cover of the press ensures easier access when cleaning.
- Belt tension is adjustable.
- The machine is made entirely of stainless steel and has adjustable feet.
- Easy to clean with no closed or inaccessible spaces, all parts are easy to assemble
- Different efficiency [POWERPRESS 400](#), [POWERPRESS 800](#), [POWERPRESS 1200](#), [POWERPRESS 1500](#)



Output	kg/h	3000
L	mm	1953
W	mm	2112
H	mm	1350
H1	mm	557
T	mm	1200
AxB	mm	315x1050
Weight	kg	1300
Supply source	kW	1.7
Supply voltage	V	3/N/PE ~ 400 V 50Hz



	Machine	Belt press
	Type	POWERPRESS 3000