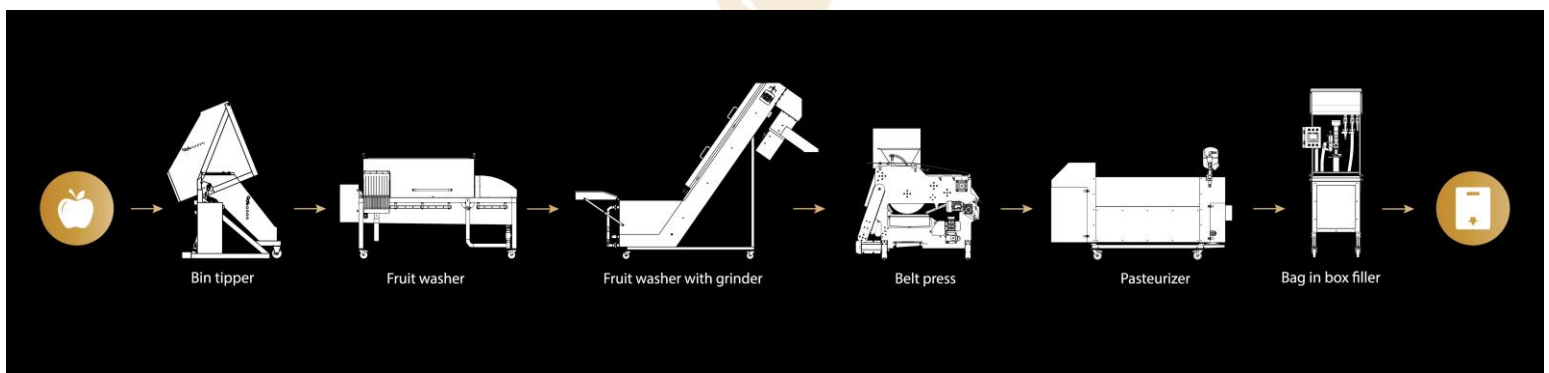


ProFruit Machinery™ is a family-based company that started with a father and son and their shared desire to offer more fruit, berry and vegetable processing possibilities for both leaders of their market and businesses that aspire to become such one day.

For almost 10 years we have been working with various fruit, berry and vegetable processing equipment in our juice production-based company “Savos sultys”. This way we have tried and tested the equipment from almost all producers in the market including it’s leaders. We have gained an extensive experience working with all the equipment parts of the processing lines, we constantly communicate with other producers and users of this equipment and for these reasons we truly understand what the effective work in fruit, berry and vegetable processing field requires.

Our core values are reliability, the highest quality and comprehensive assistance to the client in all matters. These values are also supported by the fact that our team consists of true professionals who have been working in a food processing equipment industry for more than 20 years and are capable of ensuring all the best engineering solutions.



**COMMERCIAL OFFER FOR FRUIT AND VEGETABLE
BUBBLE WASHER ELEVATOR MILL **AQUAMILL 3000****

Description	Capacity	Quantity	Price EUR.	Pack. Cost Eur
Fruit and vegetable washer elevator mill AQUAMILL 3000 with bubble washing	3000 kg/h	1	14 500.00	160.00

Optional	Price EUR.
Stop and go (automatic POWERPRESS and AQUAIMILL communication) system option	600.00
Additional payment for different el. supply	300.00
Sieve for crusher with different holes on request (for berries, stonefruits, vegetables)	200.00
Different measurements or individual solution for the machine	On request

Spare parts	Price EUR.
Spare MAXIMILL/AQUAMILL 3000 crusher motor	600.00
AQUAMILL water pump	300.00
AQUAMILL air pump	1 500.00
Spare sieve for crusher with different holes on request	200.00
Spare conveyor belt set	850.00
Spare 1 pc. Belt module	10.00
Bearing for conveyor axis	80.00
Stainless steel wheel	25.00

1. Ex-works Lithuania.
2. Production time: 8-10 weeks.
3. Country of origin: EU.
4. Made from stainless steel materials.
5. Complies with EU standard CE certificates.
6. Payment terms – 50% with the order, 50% before loading the equipment.
7. Equipment is covered by 36-month warranty. Warranty period for bearings, engines and other bought parts are 12 months.

The fruit bubble washer elevator mill **AQUAMILL** is made from stainless steel. Machine is suitable for various fruits, berries and vegetables.

Firstly, the operator of the machine pours products into the bubble washing tub with clean water. The tub is connected to the air flow which leads to water circulation and creates a bubble washing effect on products. The bubble washing provides excellent cleaning as well as helps fruits, berries and vegetables move straight to the elevator, granting a more convenient work process.

Then conveyor lifts the products up to the mill which crushes them into a mash. During the lifting process, water nozzles spray fruits, berries and vegetables with clean water. The product mash falls out of the mill for further pressing or destoning process.



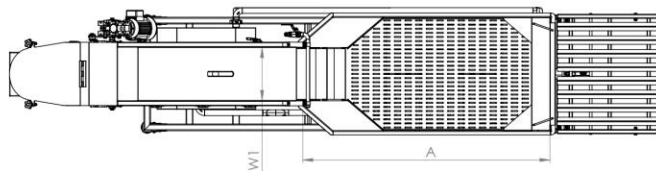
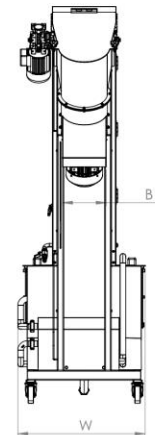
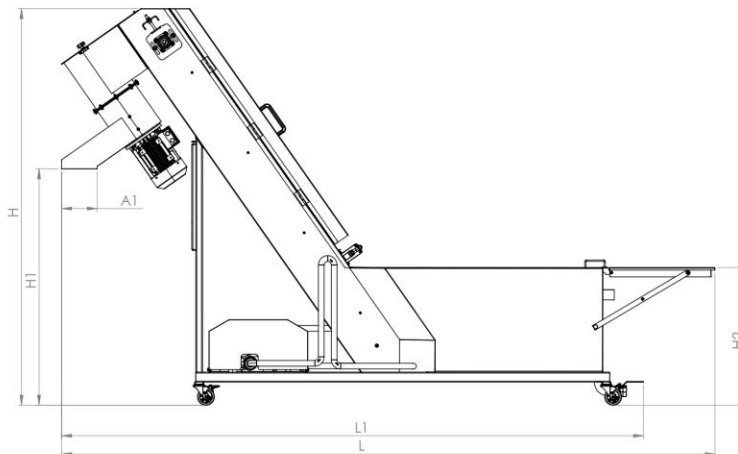
- Machine has a bubble washing tub which provides excellent cleaning as well as helps fruits, berries and vegetables move straight to the elevator.
- The bubble washing tub is spacious and can contain big amount of products at once.
- The crushing head of the machine is round, so all the crushed mash goes directly out for further processing. This feature significantly helps when washing the head as there are no corners. Our round shape technology is superior to other producers', because a lot of fruit mash gets stuck in the corners of square-shaped heads for hours and can cause juice fermentation!
- Fruit bubble washer elevator mill has additional table in front of the basin for putting fruits or boxes on it.
- Integrated water-spraying system provides additional






washing when lifting the fruits up the conveyor.

- Belt conveyor has a water drainage and speed regulation system.
- Optional replaceable cutting graters/sieves are available for different fruits and berries.
- The mill does not damage the fruit seed.
- Powerful 6,8 kW crushing engine can crush various fruits, berries and vegetables – from soft raspberries to hard apples, beets, etc.
- Machine is entirely made of stainless steel and easy to clean after using.



	Machine	Fruit and vegetable washer-elevator-grinder
	Type	AQUAMILL 3000

Output	kg/h	3000
L	mm	3860
L1	mm	3437
W	mm	760
W1	mm	320
H	mm	2342
H1	mm	1396
H2	mm	813
AxB	mm	1460x668
A1xB1	mm	210x258
Dry weight	kg	225
Supply source	kW	6.8
Supply voltage	V	3/N/PE ~ 400 V 50Hz